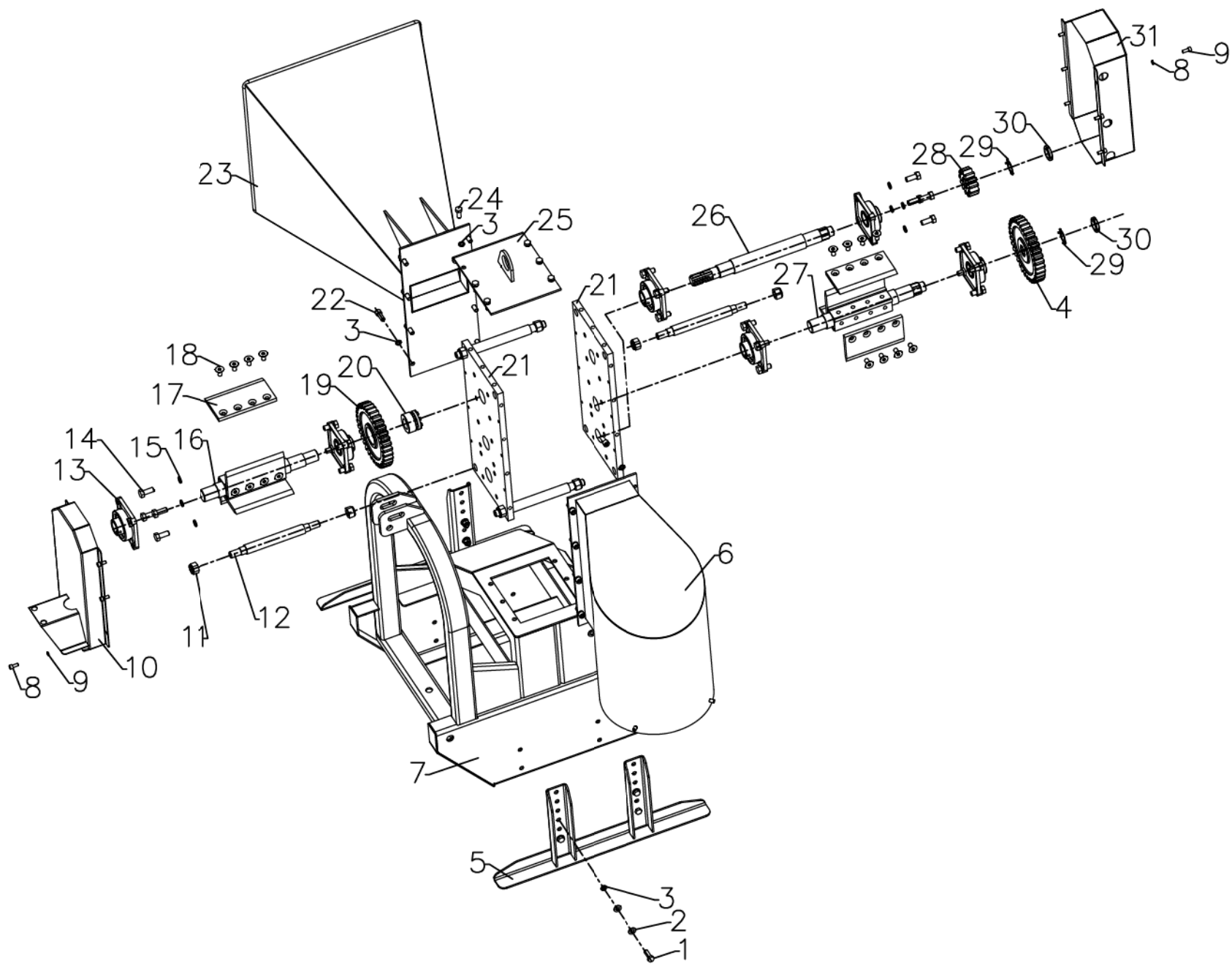


TR110 断木机



FARMER-HELPER TR110 PARTLIST VERSION2017

Nr.	Code	Description		QTY	Remarks
1	GB/5783	螺栓M12×35	Bolt M12x35	4	
2	GB97.1	垫圈12	Washer 12	8	
3	GB93	弹簧垫圈12	Plain Washer	26	
4	GB889.1	螺母M12	Nut M12	4	
5		支撑脚	Leg Kit	2	
6	TR110.014	出料口焊合件	Discharge Chute	1	
7	TR110.015	底座焊合件	Housing	1	
8	GB70	内六角螺钉M8×20	Socket Head Cap Screw M8x20	12	
9	GB93	弹簧垫圈8	Spring Washer 8	12	
10	TR110.012	前罩焊合件	Front cover weldment	1	
11	GB889.1	螺母M20	Nut M20	8	
12	TR110.109	固定轴	Axle	4	
13		带座轴承UCF208	Flange bearing UCF208	6	
14	GB5783	螺栓M14×35	Bolt M14x35	24	
15	GB93	弹簧垫圈14	Spring Washer 14	24	
16	TR110.104	轴 I	Axle I	1	
17	TR110.108	刀片	Blade	8	
18	GB70.3	内六角沉头螺钉M12×25	Hexagon Socket Countersunk Flap cap head screw M12x25	32	
19	TR110.101	从动齿轮	Driven Gear	1	
20		涨套 REACH 04型 35X60	Sweallabe Sleeve REACH04 35x60	1	
21	TR110.107	墙板	Wall	2	
22	GB70	内六角螺钉M12×25	Hexagon Socket Countersunk Flap cap head screw M12x25	12	
23	TR110.013	进料口焊合件	Feed inlet port	1	
24	GB5783	螺栓M12×30	Bolt M12x30	4	
25	TR110.011	上盖板焊合件	Upper Cover plate	1	
26	TR110.106	轴Ⅲ	Axle III	1	
27	TR110.105	轴Ⅱ	Axle II	1	
28	TR110.103	主动齿轮	Driving Gear	1	
29	GB858	止动垫片30	Spacer	2	
30	GB812	圆螺母M30×1.5	Nut M30x1.5	2	
31	TR110.110	齿轮罩	Gear Cover	1	
32	TR110.102	中间齿轮	Middle Gear	1	