

TABLE-86
Rear differential

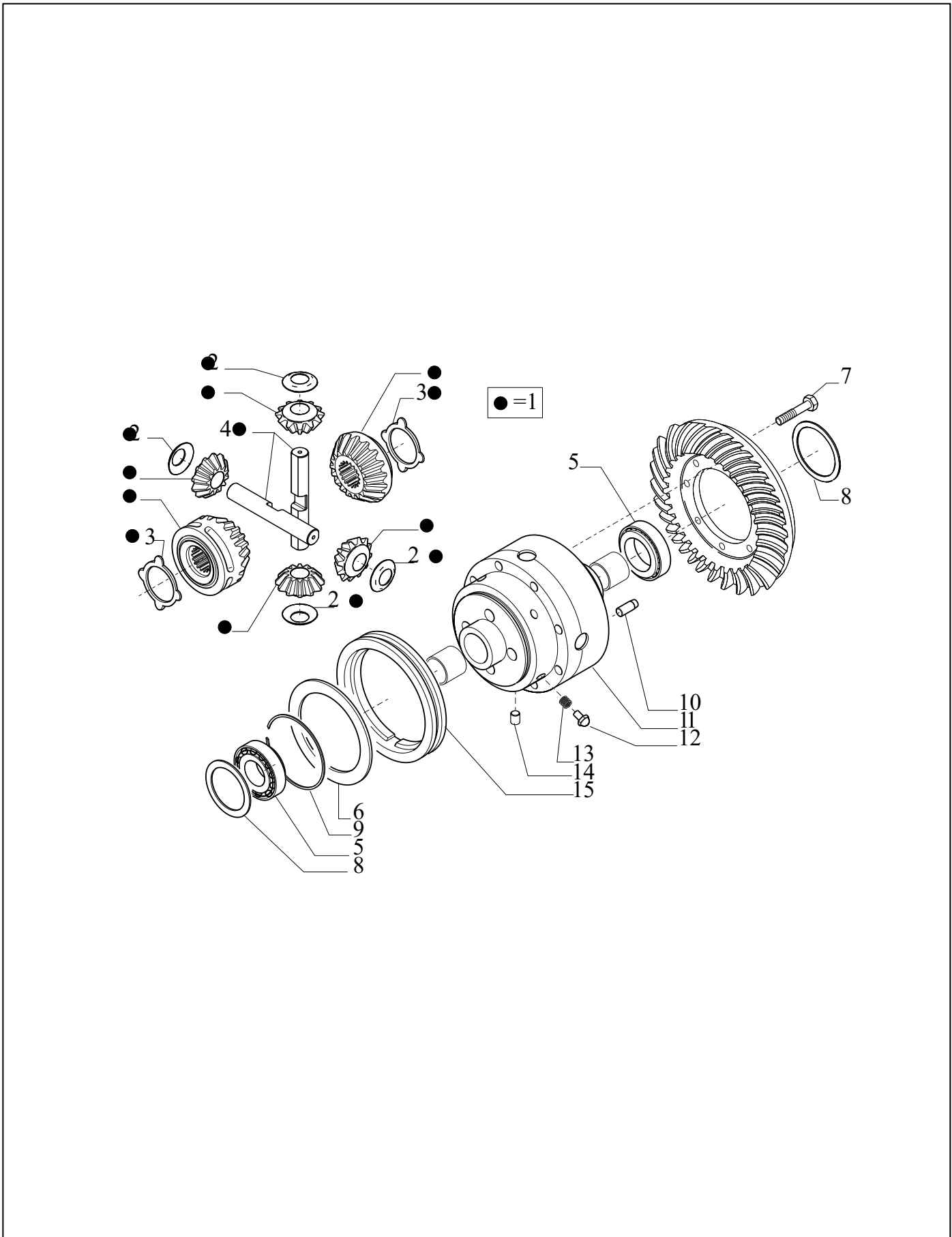


TABLE-86**Rear differential**

Fig. No.	Part No.	Description	Qty
1	D10081590.9	KIT DIFFERENTIAL (CARRARO PART NO 066739)	1
2	D10064160.9	WASHER THRUST	4
3	D10064170.9	WASHER THRUST	2
4	D10136940.9	SHAFT (CARRARO PART NO 149704)	2
5	D10064190.9	BEARING	2
6	D10064300.9	FLANGE	1
7	D10266550.9	BOLT (CARRARO PART NO 141506)	8
8	D10064200.9	SHIM 0.1MM (CARRARO PART NO 98817)	AR
8-1	D10064210.9	SHIM 0.3MM (CARRARO PART NO 98818)	AR
8-2	D10064220.9	SHIM 0.5MM (CARRARO PART NO 98819)	AR
8-3	D10064230.9	SHIM 0.05MM (CARRARO PART NO 123850)	AR
9	D90000310.9	RING SNAP	1
10	D10064240.9	PIN 12X30	1
11	D10064250.9	BOX DIFFERENTIAL	1
12	D10064260.9	PIN	4
13	D10064270.9	SPRING	4
14	D10064280.9	PIN	1
15	D10064290.9	SLEEVE	1

TABLE-87
Rear differential lock

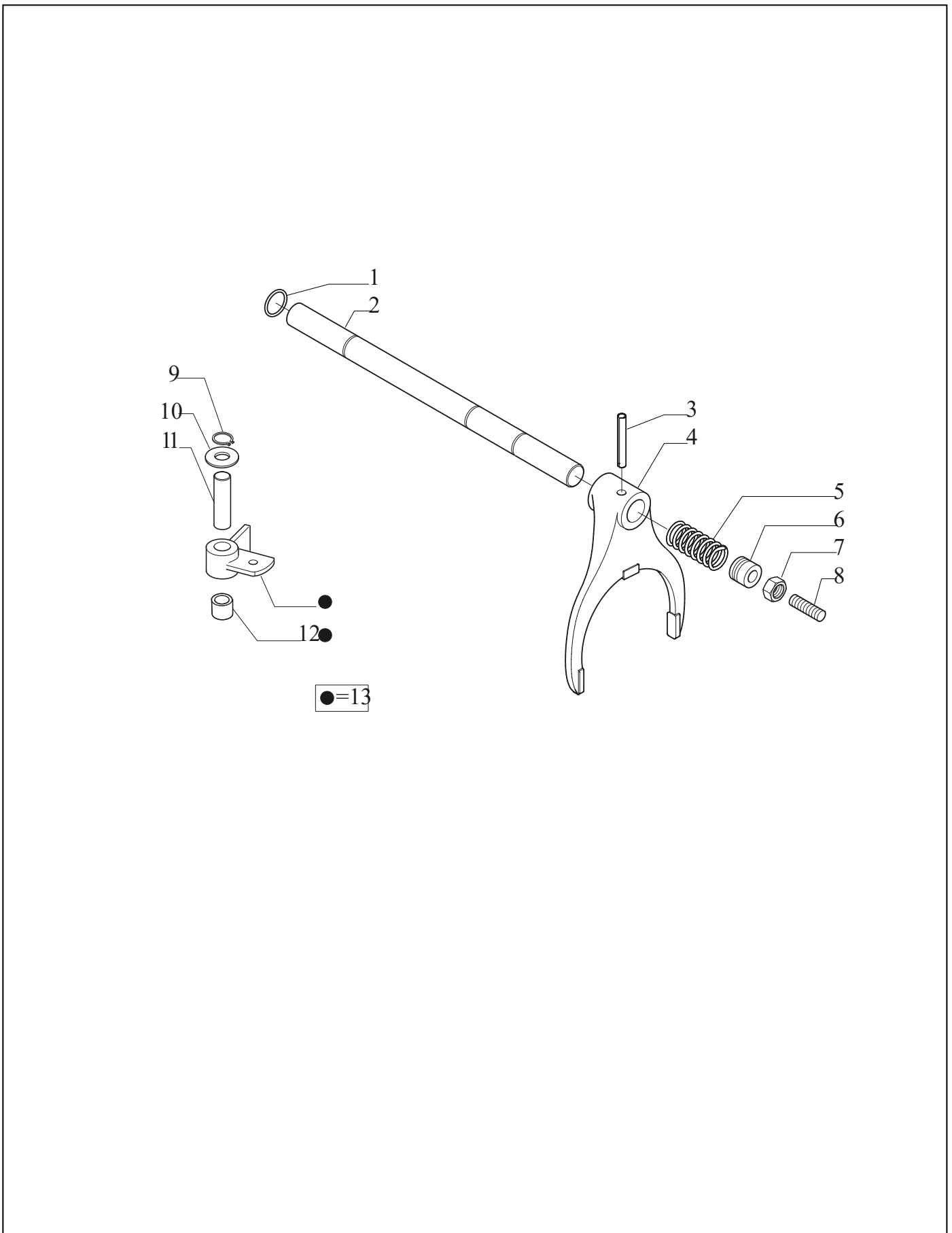


TABLE-87**Rear differential lock**

Fig. No.	Part No.	Description	Qty
1	D10064330.9	SEAL O RING (CARRARO PART NO 28111)	1
2	D10265010.9	PIN DIFFERENTIAL LOCK (CARRARO PART NO 123827)	1
3	D10240810.9	PIN D8X36 (CARRARO PART NO 024445)	1
4	D10064370.9	DIFFERENTIAL BLOCK FORK	1
5	D10064350.9	SPRING	1
6	D10278500.9	PLUG (CARRARO PART NO 572269)	1
7	D10260280.9	NUT (CARRARO PART NO 022119)	1
8	D10260140.9	STUD (CARRARO PART NO 021705)	1
9	D90000180.9	CIRCLIP A15X0.90 SB	1
10	D10042730.9	WASHER 15.5X30 DIFFERENTIAL LOCK BUSH THRUST	1
11	D10064390.9	PIN 15X51	1
12	D10241000.9	BUSH REAR DIFFERENTIAL LOCK (CARRARO PART NO 121729)	1
13	D10081620.9	KIT LEVER (CARRARO PART NO 066722)	1

TABLE-88
Brakes

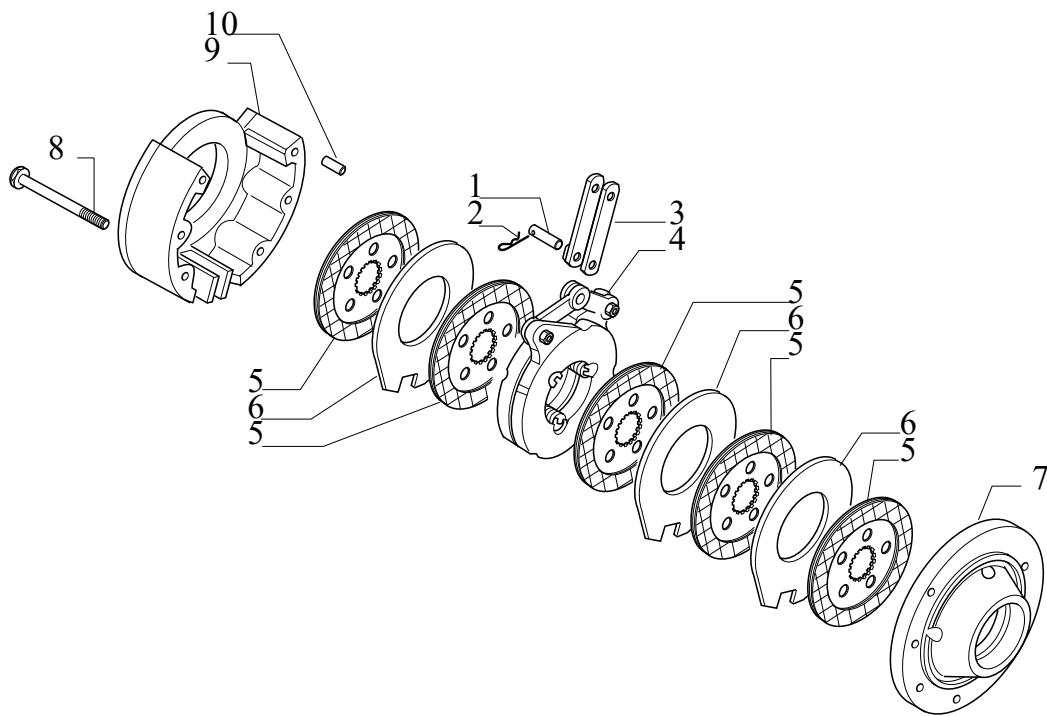


TABLE-88**Brakes**

Fig. No.	Part No.	Description	Qty
1	D10064930.9	PIN D11 (CARRARO PART NO 118336)	2
2	D10137030.9	PIN SPRING LOCK (CARRARO PART NO 146912)	2
3	D10137040.9	LINKAGE BRAKE CONTROL (CARRARO PART NO. 146913)	2
4	D10064940.9	ACTUATOR ASSEMBLY BRAKE DISC (CARRARO PART NO 117165)	2
5	D10266720.9	DISC BRAKE (CARRARO PART NO 143847)	10
6	D10205040.9	DISC (CARRARO PART NO 117167)	6
7	D10266960.9	BRAKE CARTER (CARRARO PART NO 144194)	2
8	D81500910.9	BOLT M12X110	10
9	D10266950.9	BRAKE CARTER (CARRARO PART NO 144192)	2
10	D10064990.9	PIN D12X50	4

TABLE-89
Brakes control

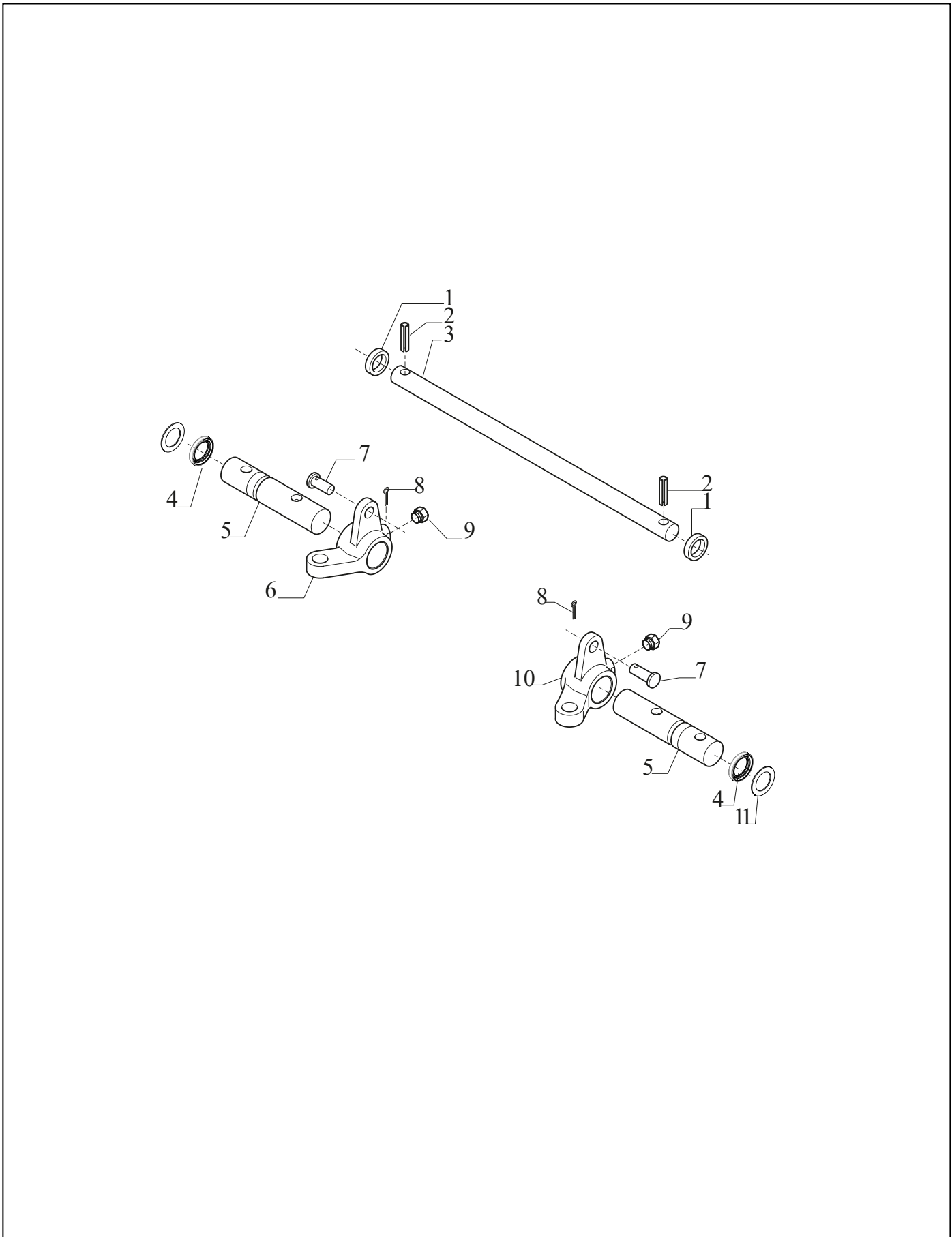


TABLE-89**Brakes control**

Fig. No.	Part No.	Description	Qty
1	D10110420.9	SEALING RING (CARRARO PART NO 025107)	2
2	D10065030.9	PIN DIA 8X36 (CARRARO PART NO 24427)	2
3	D10279000.9	SHAFT BRAKES CONTROL (CARRARO PART NO 642421)	1
4	D10621020.9	SEAL (CARRARO PART NO 401446)	2
5	D10621030.9	SHAFT BRAKE CONTROL (CARRARO PART NO 400173)	2
6	D10279010.9	LEVER BRAKE (CARRARO PART NO 642422)	1
7	D10065100.9	PIN D11 BRAKE (CARRARO PART NO 117226)	2
8	D93400240.9	SPLIT PIN D32X32	2
9	D10065120.9	SCREW M14X1.5X30 (CARRARO PART NO 117208)	2
10	D10279020.9	LEVER BRAKE (CARRARO PART NO 642423)	1
11	D10621040.9	WASHER (CARRARO PART NO 401324)	2

TABLE-90
Handbrakes control

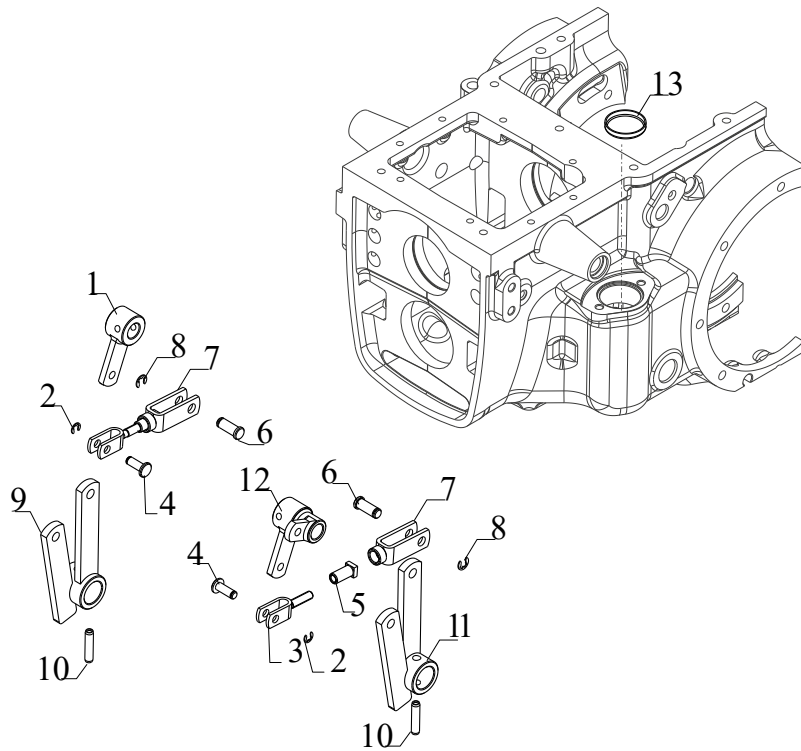


TABLE-90
Handbrakes control

Fig. No.	Part No.	Description	Qty
1	D10621050.9	LEVER (CARRARO PART NO 340217)	1
2	D10261200.9	RING SNAP (CARRARO PART NO 024715)	2
3	D10269120.9	PUSH PULL (CARRARO PART NO 206642)	2
4	D10264050.9	PIN (CARRARO PART NO 070533)	2
5	D10264410.9	PIN (CARRARO PART NO 113221)	2
6	D10264290.9	PIN (CARRARO PART NO 105052)	2
7	D10621060.9	NUT HAND BRAKE (CARRARO PART NO 372523)	2
8	D10261210.9	RING SNAP (CARRARO PART NO 024717)	2
9	D10621070.9	LEVER HAND BRAKE (CARRARO PART NO 470639)	2
10	D10065090.9	PIN 10X45	2
11	D10621080.9	LEVER (CARRARO PART NO 470640)	1
12	D10621090.9	LEVER (CARRARO PART NO 340216)	1
13	D10621100.9	PLUG (CARRARO PART NO 119738)	2

TABLE-91
Speed lever cover

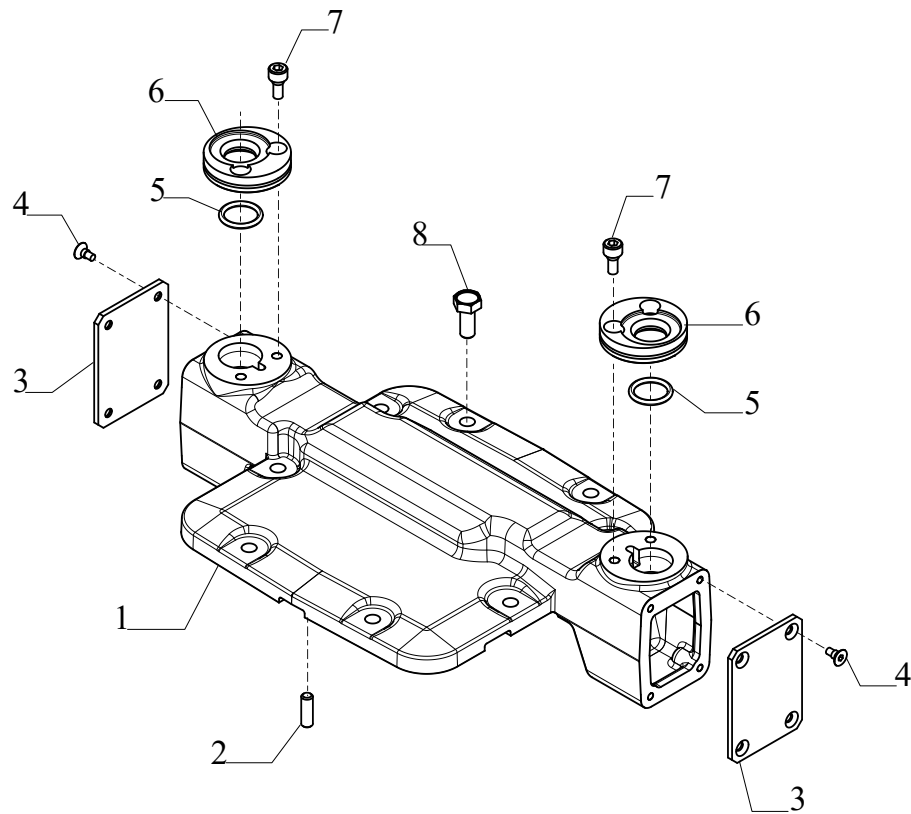


TABLE-91
Speed lever cover

Fig. No.	Part No.	Description	Qty
1	D11254590.9	COVER (CARRARO PART NO 635430)	1
2	D10062900.9	PIN	2
3	D11254600.9	COVER (CARRARO PART NO 338980)	2
4	D81500980.9	BOLT M6X12	8
5	D10062860.9	SEAL O RING	2
6	D11254610.9	COVER (CARRARO PART NO 338977)	2
7	D82500420.9	SCREW M8X16	4
8	D81500280.9	BOLT M10X1.50X25-9.8 HEX HEAD	8

TABLE-92
Outer gear shift levers

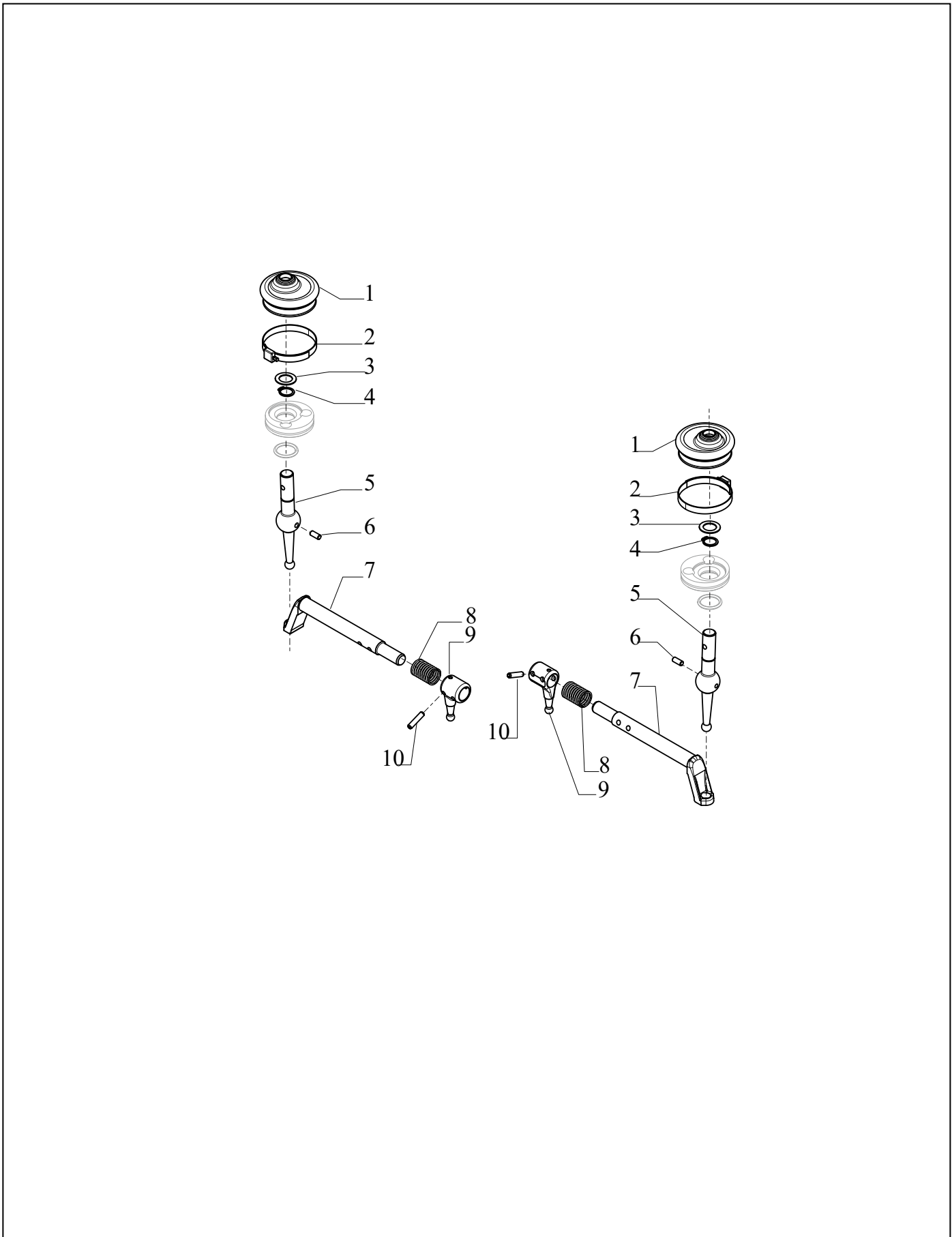


TABLE-92**Outer gear shift levers**

Fig. No.	Part No.	Description	Qty
1	D11254620.9	BOOT (CARRARO PART NO 338978)	2
2	D11254640.9	HOSE CLAMP (CARRARO PART NO 339101)	2
3	D10063030.9	SHIM 26X16.5X1 (CARRARO PART NO 133992)	2
4	D90000340.9	RING SNAP D16 (CARRARO PART NO 024771)	2
5	D10063050.9	LEVER	2
6	D10062910.9	PIN	2
7	D11254650.9	LEVER CONTROL PIN (CARRARO PART NO 338979)	2
8	D10267140.9	SPRING (CARRARO PART NO 146312)	2
9	D10063120.9	LEVER INNER	2
10	D93400250.9	PIN 6X26 COTTER (CARRARO PART NO 24403)	4

TABLE-93
Speed gear inner controls

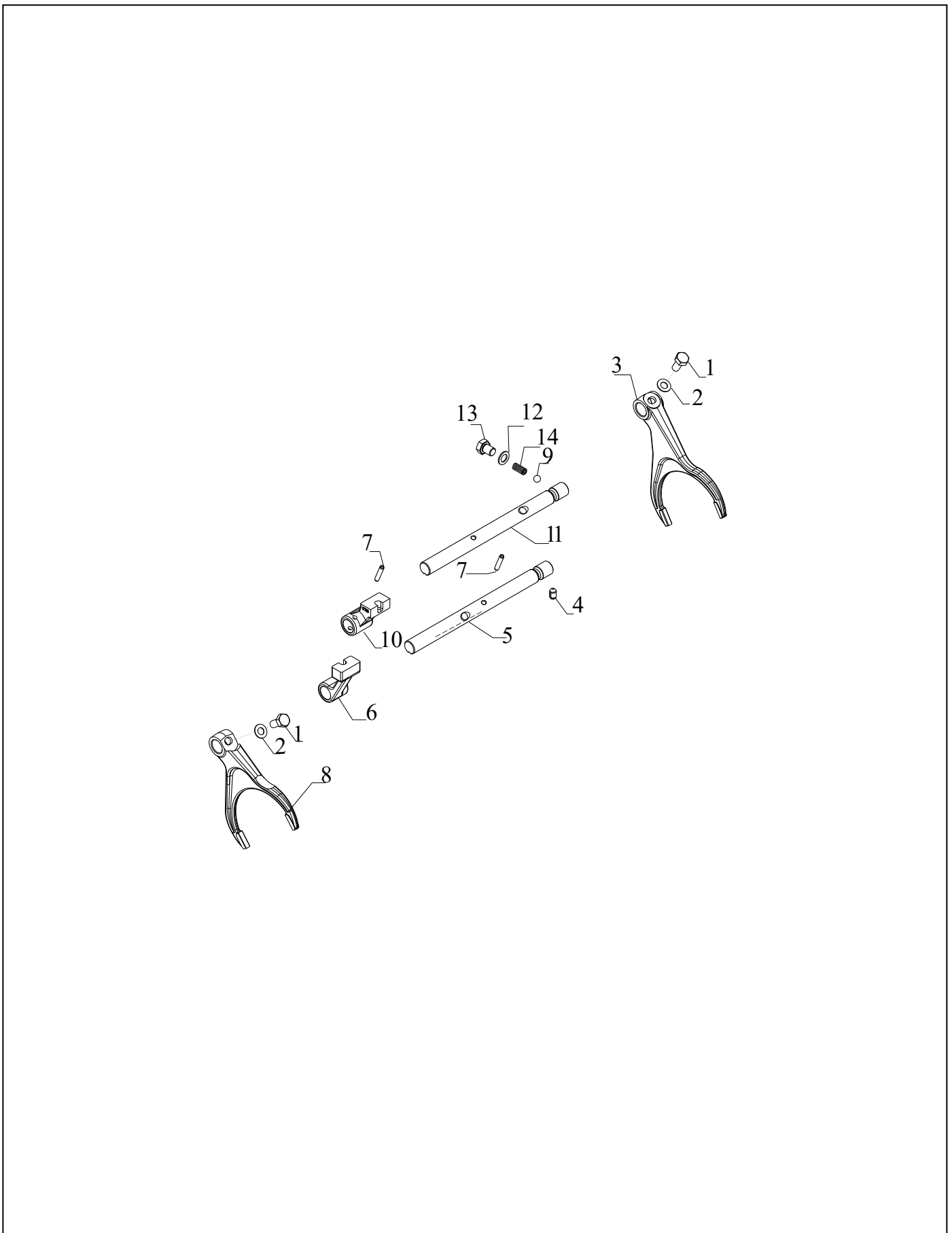


TABLE-93**Speed gear inner controls**

Fig. No.	Part No.	Description	Qty
1	D10264330.9	BOLT (CARRARO PART NO 107990)	2
2	D10063140.9	WASHER	2
3	D10063250.9	FORK 1-2	1
4	D10063260.9	PIN LOCK	1
5	D10540390.9	ROD (CARRARO PART NO 414526)	1
6	D10063290.9	BLOCK	1
7	D10063300.9	PIN	2
8	D10063320.9	FORK 3-4	1
9	D10063380.9	BALL	2
10	D10063330.9	BLOCK	1
11	D10540400.9	ROD (CARRARO PART NO 414525)	1
12	D10240920.9	WASHER (CARRARO PART NO 023288)	2
13	D10240930.9	SCREW (CARRARO PART NO 138003)	2
14	D10240940.9	SPRING (CARRARO PART NO 641673)	2

TABLE-94
Reverser inner control

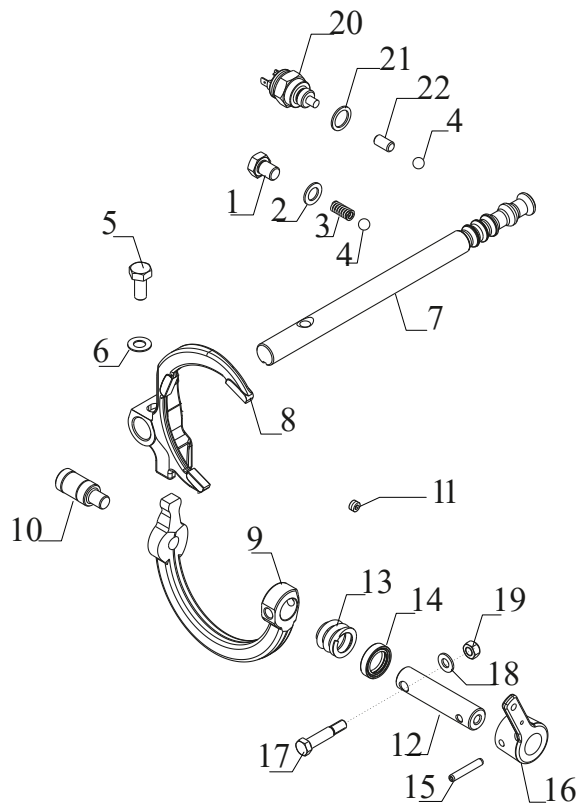


TABLE-94**Reverser inner control**

Fig. No.	Part No.	Description	Qty
1	D10240930.9	SCREW (CARRARO PART NO 138003)	1
2	D10240920.9	WASHER (CARRARO PART NO 023288)	1
3	D10240940.9	SPRING (CARRARO PART NO 641673)	1
4	D10063380.9	BALL	2
5	D10264330.9	BOLT (CARRARO PART NO 107990)	1
6	D10063140.9	WASHER	1
7	D10072640.9	ROD (CARRARO PART NO 142422)	1
8	D10072630.9	FORK (CARRARO PART NO 142423)	1
9	D10735760.9	LEVER INNER FORWARD REVERSE (CARRARO PART NO 430058)	1
10	D10266940.9	PIN (CARRARO PART NO 144172)	1
11	D10260050.9	PLUG M10X1 (CARRARO PART NO 021558)	1
12	D10735770.9	ROD INNER FORWARD REVERSE (CARRARO PART NO 430057)	1
13	D10063510.9	SPRING (CARRARO PART NO 118067)	1
14	D10110420.9	SEALING RING (CARRARO PART NO 025107)	1
15	D10140640.9	PIN DIA 6.0X35.0 (CARRARO PART NO 024442)	1
16	D11254660.9	LEVER REVERSER (CARRARO PART NO 484222)	1
17	D10735810.9	SCREW M8X45 (CARRARO PART NO 573335)	1
18	D10735780.9	WASHER (CARRARO PART NO 570676)	1
19	D10735790.9	NUT (CARRARO PART NO 573334)	1
20	D10279190.9	SENSOR (CARRARO PART NO 643172)	1
21	D10063470.9	WASHER	1
22	D10063480.9	PIN D9X17	1

TABLE-95

Range gears inner controls

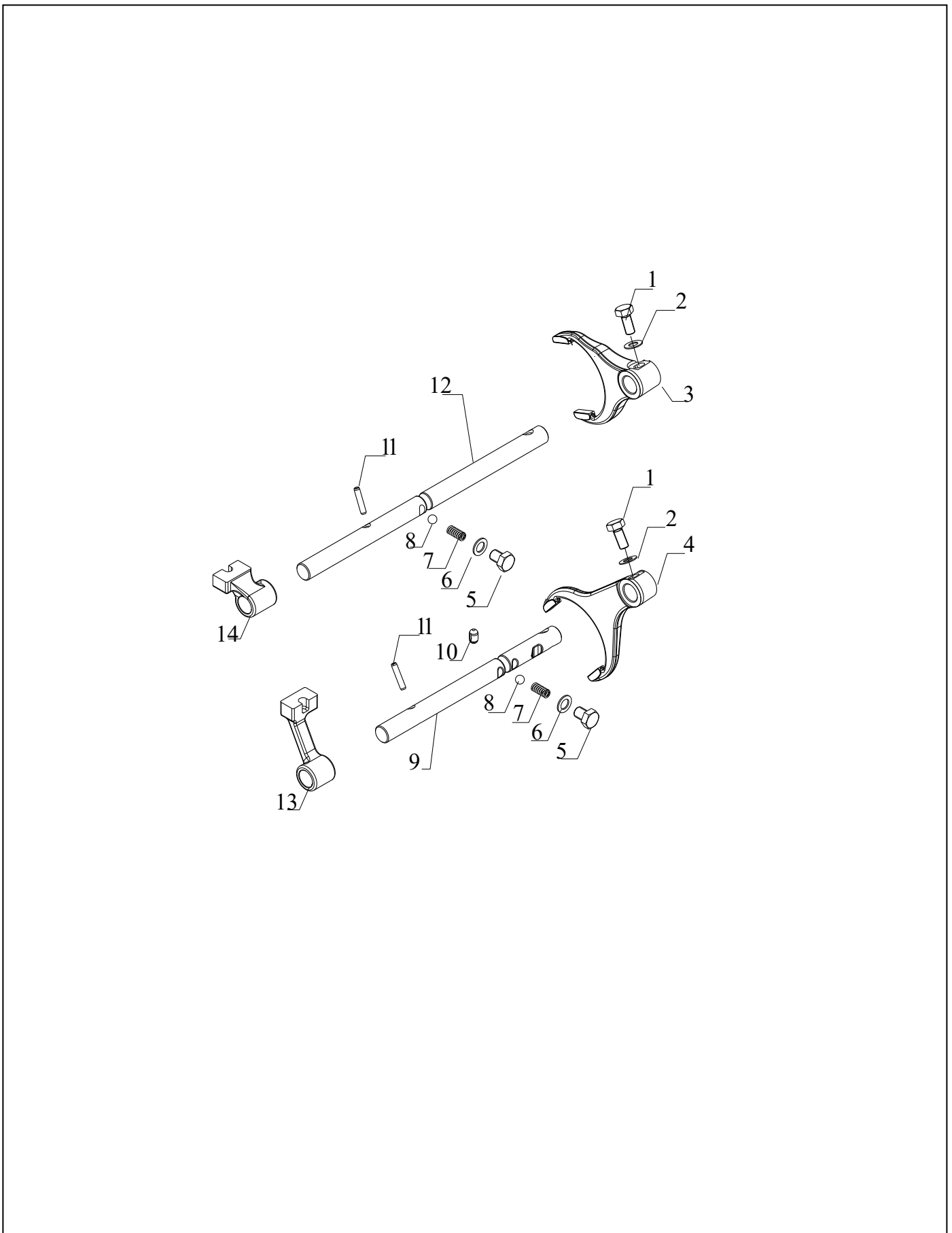


TABLE-95**Range gears inner controls**

Fig. No.	Part No.	Description	Qty
1	D10264330.9	BOLT (CARRARO PART NO 107990)	2
2	D10063140.9	WASHER	2
3	D10063390.9	FORK	1
4	D10063450.9	FORK	1
5	D10240930.9	SCREW (CARRARO PART NO 138003)	2
6	D10240920.9	WASHER (CARRARO PART NO 023288)	2
7	D10240940.9	SPRING (CARRARO PART NO 641673)	2
8	D10063380.9	BALL	2
9	D10063440.9	ROD	1
10	D10063260.9	PIN LOCK	1
11	D10063300.9	PIN	2
12	D10063430.9	ROD	1
13	D10063290.9	BLOCK	1
14	D10063330.9	BLOCK	1

TABLE-96
Final drive housing (Std)

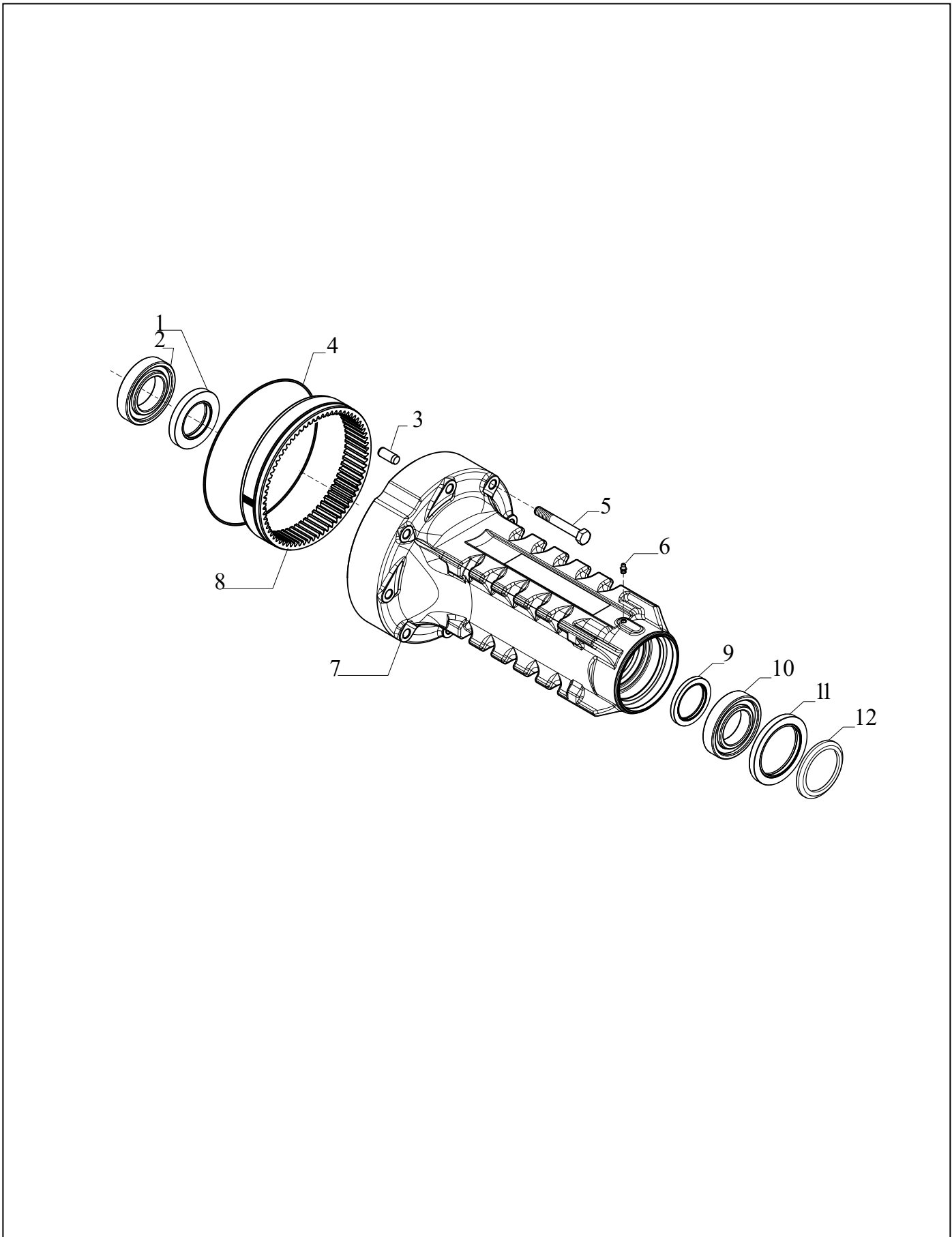


TABLE-96**Final drive housing (Std)**

Fig. No.	Part No.	Description	Qty
1	D10261560.9	SEAL RING DIA 65X90X10 (CARRARO PART NO 025278)	2
2	D10064720.9	BEARING	2
3	D10110660.9	PIN DIA 15.0X35.0	4
4	D10064790.9	SEAL O RING	2
5	D81500950.9	BOLT M14X100	16
6	D92500080.9	GREASE NIPPLE M8X1.0	2
7	D11254670.9	HOUSING TRUMPET (CARRARO PART NO 483083)	2
8	D10279090.9	GEAR Z-70 CROWN (CARRARO PART NO 642445)	2
9	D10064740.9	SEAL	2
10	D10064750.9	BEARING	2
11	D10064760.9	SEAL	2
12	D10064900.9	SEAL	2

TABLE-97
Final drive housing - wheel shaft (Std)

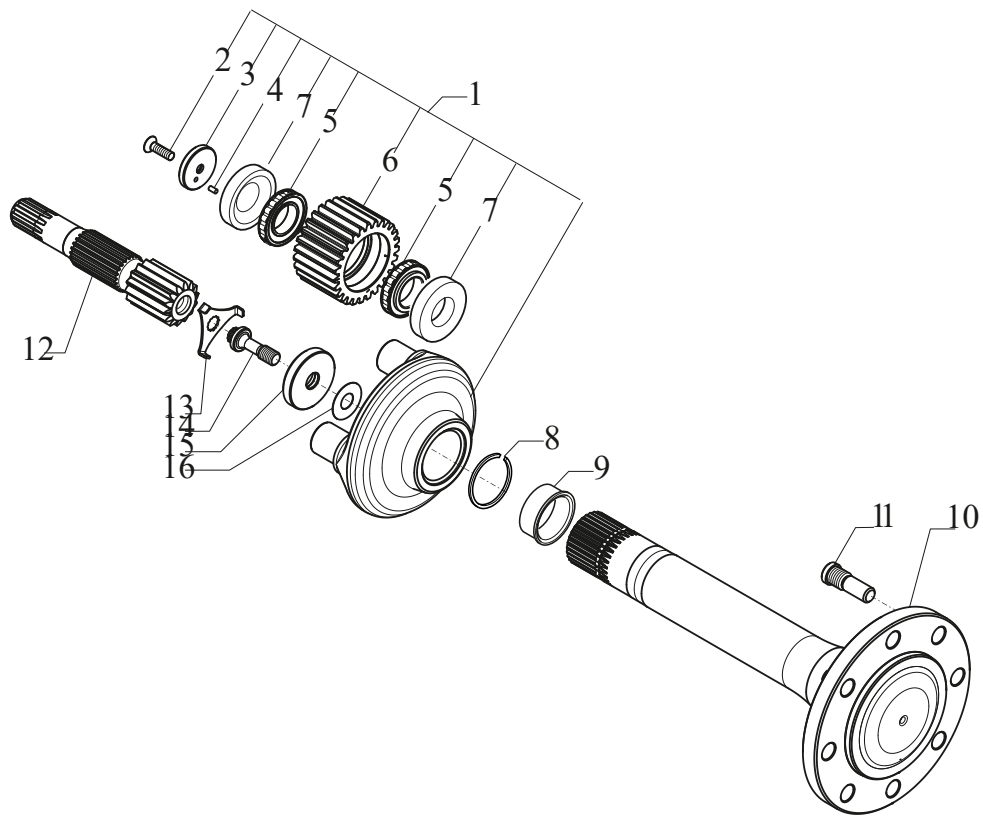


TABLE-97**Final drive housing - wheel shaft (Std)**

Fig. No.	Part No.	Description	Qty
1	D10621130.9	PLANETARY CARRIER ASSEMBLY (CARRARO PART NO 68753)	2
2	D10065690.9	SCREW	6
3	D10081650.9	WASHER (CARRARO PART NO 135846)	6
4	D87000170.9	PIN PLAIN DOWEL (CARRARO PART NO 134350)	6
5	D10081660.9	BEARING (CIL - 136302)	12
6	D10279060.9	GEAR Z-27 (CARRARO PART NO 642441)	6
7	D10262440.9	COVER DIA 65 (CARRARO PART NO 029710)	12
8	D10064820.9	RING LOCK	2
9	D10064910.9	BUSH	2
10	D11254680.9	SHAFT WHEEL (CARRARO PART NO 571923)	2
11	D10081690.9	BOLT REAR WHEEL (CIL - 084911)	16
12	D10266760.9	SHAFT DRIVE Z-14 (CARRARO PART NO 143944)	2
13	D10064830.9	STOP SCREW	2
14	D10064840.9	SPECIAL BOLT M16X2	2
15	D10064850.9	WASHER (CARRARO PART NO 135844)	2
16	D10064860.9	SHIM 0.1MM (CARRARO PART NO 123310)	AR
16-1	D10064870.9	SHIM 0.3MM (CARRARO PART NO 123311)	AR
16-2	D10064880.9	SHIM 0.5MM (CARRARO PART NO 123312)	AR
16-3	D10064890.9	SHIM 0.05MM (CARRARO PART NO 123721)	AR

TABLE-98
PTO output shaft

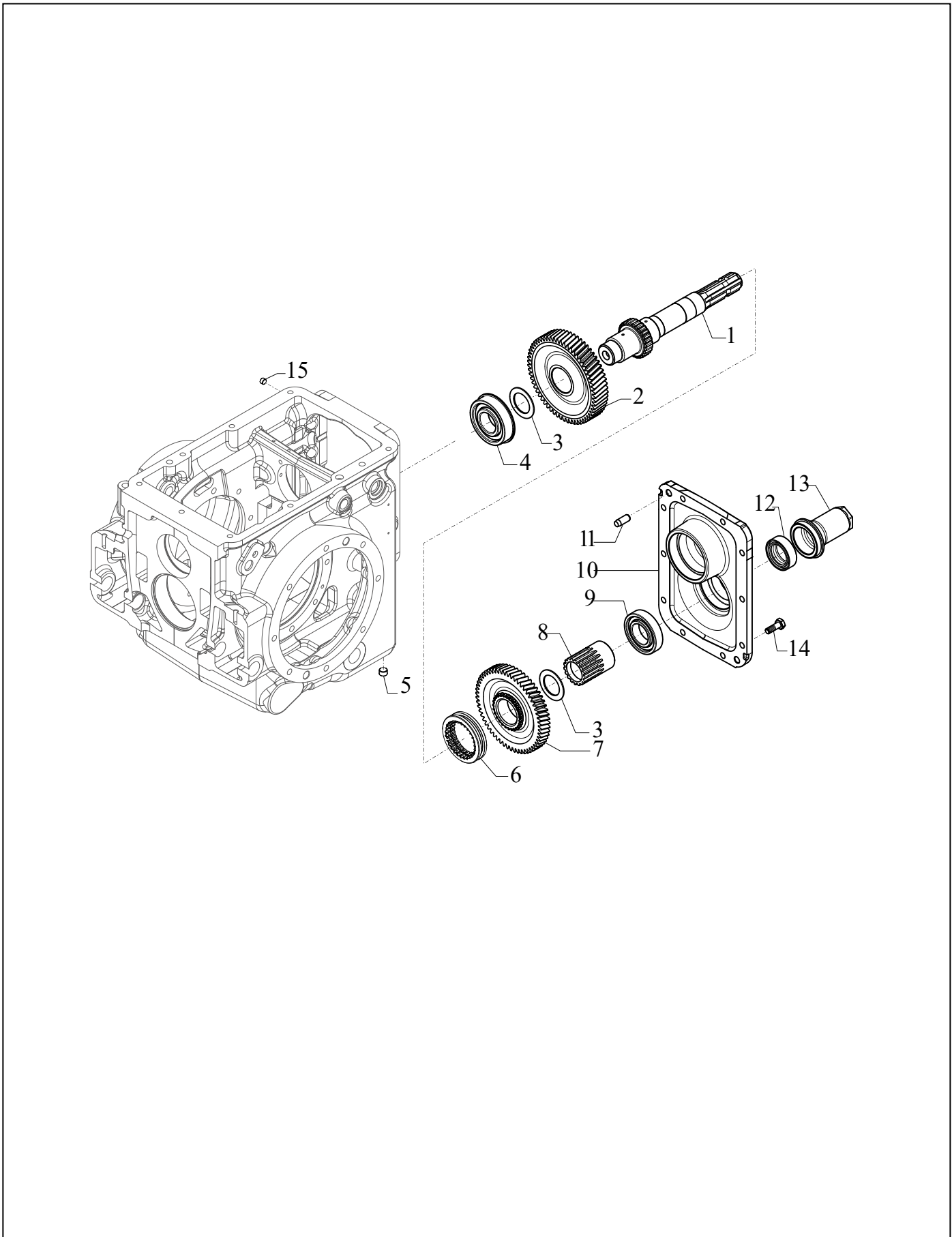


TABLE-98**PTO output shaft**

Fig. No.	Part No.	Description	Qty
1	D10621140.9	SHAFT OUTPUT (CARRARO PART NO 467981)	1
2	D10138760.9	GEAR Z61 (CARRARO PART NO 143993)	1
3	D10265920.9	WASHER (CARRARO PART NO 135047)	2
4	D10138780.9	BEARING (CARRARO PART NO 026189)	1
5	D10260090.9	PLUG M20X1.5 (CARRARO PART NO 021576)	1
6	D10064130.9	COLLAR	1
7	D10266800.9	GEAR PTO Z-58 PTO 540-540E (CARRARO PART NO 143994)	1
8	D10278910.9	SPACER (CARRARO PART NO 642307)	1
9	D10063570.9	BEARING	1
10	D10279440.9	COVER PTO (CARRARO PART NO 644538)	1
11	D10064240.9	PIN 12X30	2
12	D10621150.9	SEAL RING (CARRARO PART NO 426075)	1
13	D10138720.9	PROTECTION CUP PLASTIC (CARRARO PART NO 124691)	1
14	D10259460.9	BOLT (CARRARO PART NO 020852)	10
15	D10278430.9	PLUG (CARRARO PART NO 572084)	1

TABLE-99
PTO shaft

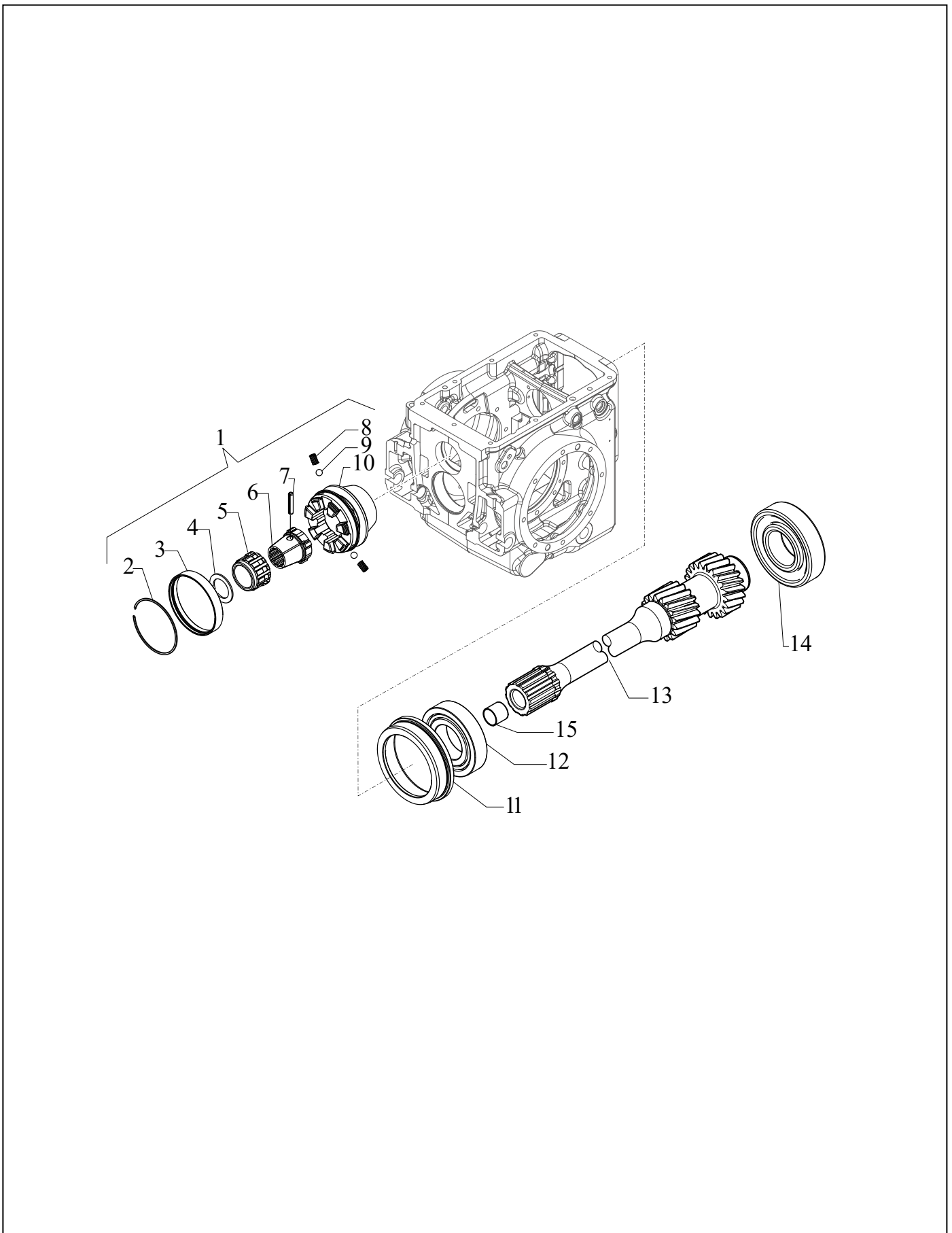


TABLE-99**PTO shaft**

Fig. No.	Part No.	Description	Qty
1	D10279460.9	COUPLING PTO ASSEMBLY (CARRARO PART NO 644901)	1
2	D10136990.9	RING SNAP (CARRARO PART NO 025518)	1
3	D10137000.9	BUSH (CARRARO PART NO 141725)	1
4	D10064470.9	WASHER	1
5	D10064460.9	RING PTO LOCK	1
6	D10064440.9	CLUTCH PTO	1
7	D10064430.9	PIN D5X26	1
8	D10064400.9	SPRING	2
9	D10064450.9	BALL D1/4"	2
10	D10137010.9	SLEEVE PTO CLUTCH (CARRARO PART NO 141724)	1
11	D10266810.9	SUPPORT BEARING (CARRARO PART NO 143996)	1
12	D10261990.9	BEARING (CARRARO PART NO 027554)	1
13	D10266790.9	SHAFT PTO Z-17/19-PTO 540-540E (CARRARO PART NO 143991)	1
14	D10138740.9	BEARING (CARRARO PART NO 025859)	1
15	D10065650.9	BUSH	1

TABLE-100
PTO control

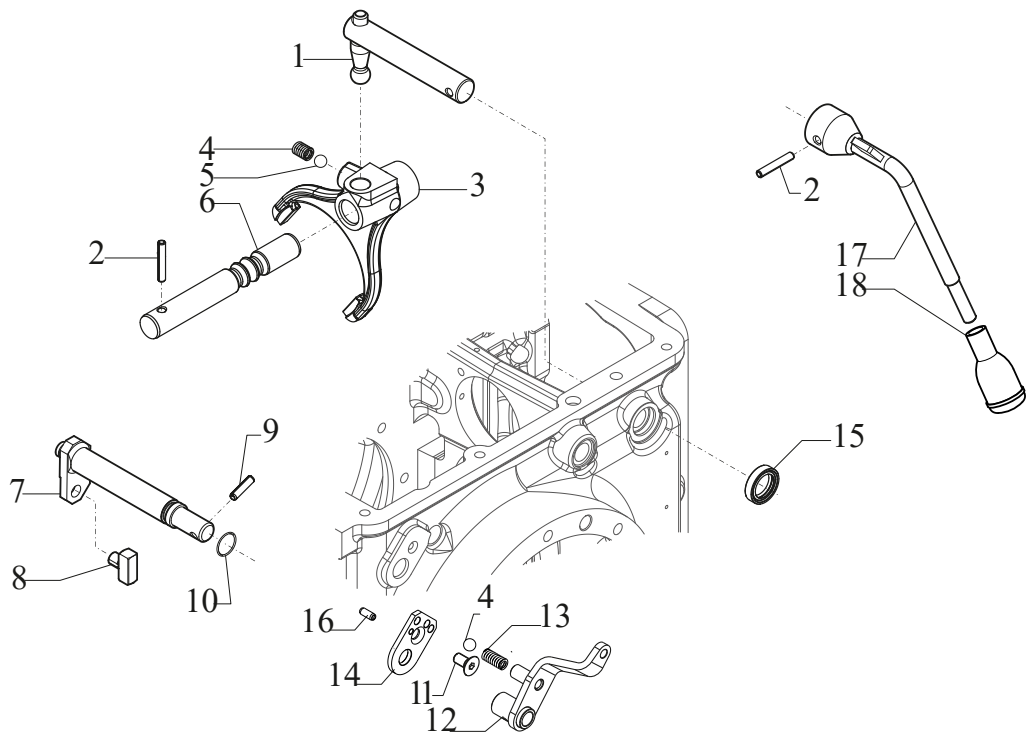


TABLE-100**PTO control**

Fig. No.	Part No.	Description	Qty
1	D10278970.9	LEVER PTO CONTROL (CARRARO PART NO 642399)	1
2	D93400210.9	PIN COTTER	2
3	D10279350.9	FORK PTO CONTROL (CARRARO PART NO 644077)	1
4	D10086230.9	SPRING	2
5	D10262160.9	BALL (CARRARO PART NO 028270)	1
6	D10279340.9	PIN PTO CONTROL (CARRARO PART NO 644076)	1
7	D10064570.9	SHAFT	1
8	D10064580.9	PAD	1
9	D10064610.9	PIN 6X28 COTTER	1
10	D10064330.9	SEAL O RING (CARRARO PART NO 28111)	1
11	D82500430.9	SCREW M8X16	1
12	D10728210.9	LEVER PTO CONTROL (CARRARO PART NO 479904)	1
13	D10063380.9	BALL	1
14	D10728220.9	PLATE PTO CONTROL (CARRARO PART NO 479903)	1
15	D10110420.9	SEALING RING (CARRARO PART NO 025107)	1
16	D11095260.9	PIN (CARRARO PART NO 24481)	1

TABLE-101

Drop box

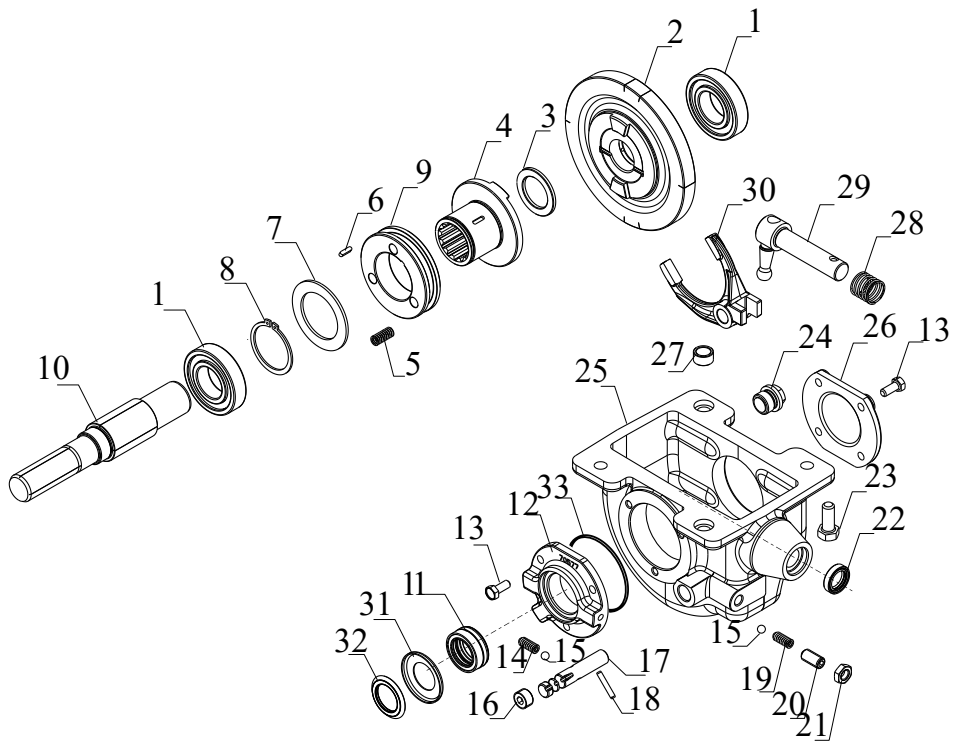


TABLE-101**Drop box**

Fig. No.	Part No.	Description	Qty
1	D10063780.9	BEARING	2
2	D11254690.9	GEAR Z=58 (CARRARO PART NO 145546)	1
3	D10086070.9	WASHER	1
4	D10086080.9	GEAR Z=13	1
5	D10703110.9	SPRING (CARRARO PART NO 117652)	6
6	D10086100.9	KEY 4X4X15	1
7	D10703080.9	WASHER (CARRARO PART NO 115208)	1
8	D10703070.9	SNAP RING (CARRARO PART NO 24807)	1
9	D10086130.9	SLEEVE	1
10	D10621180.9	SHAFT (CARRARO PART NO 470579)	1
11	D10566020.9	SEAL RING (CARRARO PART NO 644149)	1
12	D10621190.9	COVER (CARRARO PART NO 470578)	1
13	D10265270.9	BOLT M8X20 (CARRARO PART NO 127920)	7
14	D10086180.9	SPRING	1
15	D10703190.9	BALL (CARRARO PART NO 28268)	2
16	D10110350.9	PLUG	1
17	D10086210.9	FORK PIN 506	1
18	D10086220.9	PIN D5X30	1
19	D10086230.9	SPRING	1
20	D10063350.9	GRUB SCREW	1
21	D10063360.9	NUT	1
22	D10110420.9	SEALING RING (CARRARO PART NO 025107)	1
23	D81500920.9	BOLT M12X30	4
24	D10241050.9	PLUG OIL M22X1.5 DROP BOX (CARRARO PART NO 401316)	1
25	D10241060.9	HOUSING TRANSMISSION DROP BOX (CARRARO PART NO 401304)	1
26	D10086280.9	REAR COVER	1
27	D10086290.9	BUSH	2
28	D10086300.9	SPRING	1
29	D10086310.9	LEVER	1
30	D10086320.9	FORK	1
31	D10621200.9	COVER (CARRARO PART NO 470599)	1
32	D10621210.9	SEAL (CARRARO PART NO 470586)	1
33	D10735800.9	SEAL O RING (CARRARO PART NO 28520)	1

TABLE-102
COVER HYDRAULIC SUB ASSEMBLY

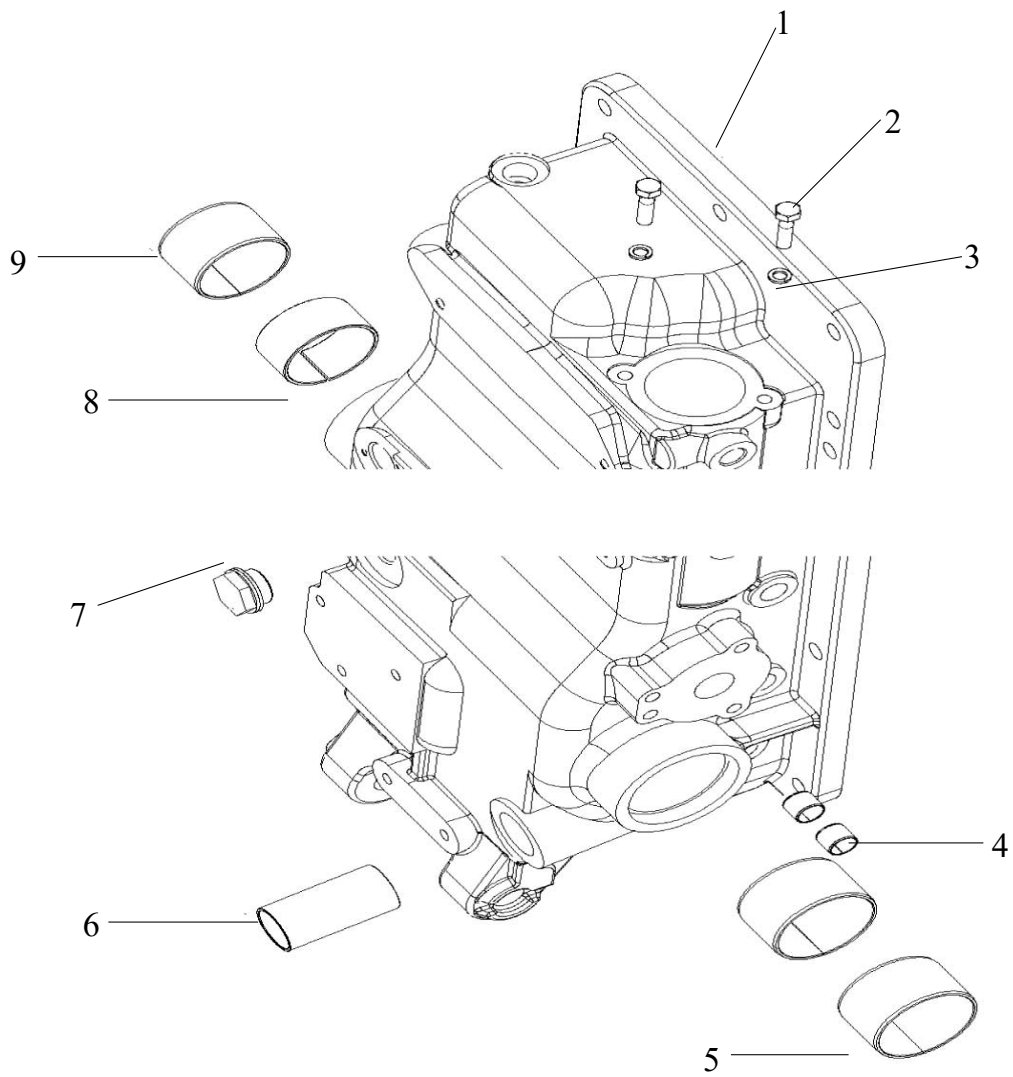


TABLE-102
COVER HYDRAULIC SUB ASSEMBLY

Fig. No.	Part No.	Description	Qty
1	D10805980.9	HOUSING HYDRAULIC LIFT (M/S MITA PART NO 120177012)	1
2	D10700350.9	SCREW M8X1.25X35-8.8 HEX HEAD (M/S MITA PART NO 300007000)	2
3	D10700160.9	WASHER M8 SPRING LOCK (M/S MITA PART NO 320001000)	2
4	D11029830AA.9	BUSH HYDRAULIC LIFT (M/S MITA PART NO 400005000)	2
5	D11029870AA.9	BUSH SERRATION SHAFT (M/S MITA PART NO 400004000)	2
6	D11029900AA.9	BUSH DIPSTICK (M/S MITA PART NO 400387000)	1
7	D11029920AA.9	PLUG 3/4" (M/S MITA PART NO 440004000)	1
8	D11029940AA.9	BUSH SERRATION SHAFT (M/S MITA PART NO 400003000)	1
9	D11030010AA.9	BUSH SERRATION SHAFT (M/S MITA PART NO 400002000)	1
10	D11017690AA.9	VALVE ASSEMBLY HYDRAULIC LIFT CONTROL (M/S MITA PART NO 110067004R80)	1

TABLE-103
CYLINDER HYDRAULIC SUB ASSEMBLY

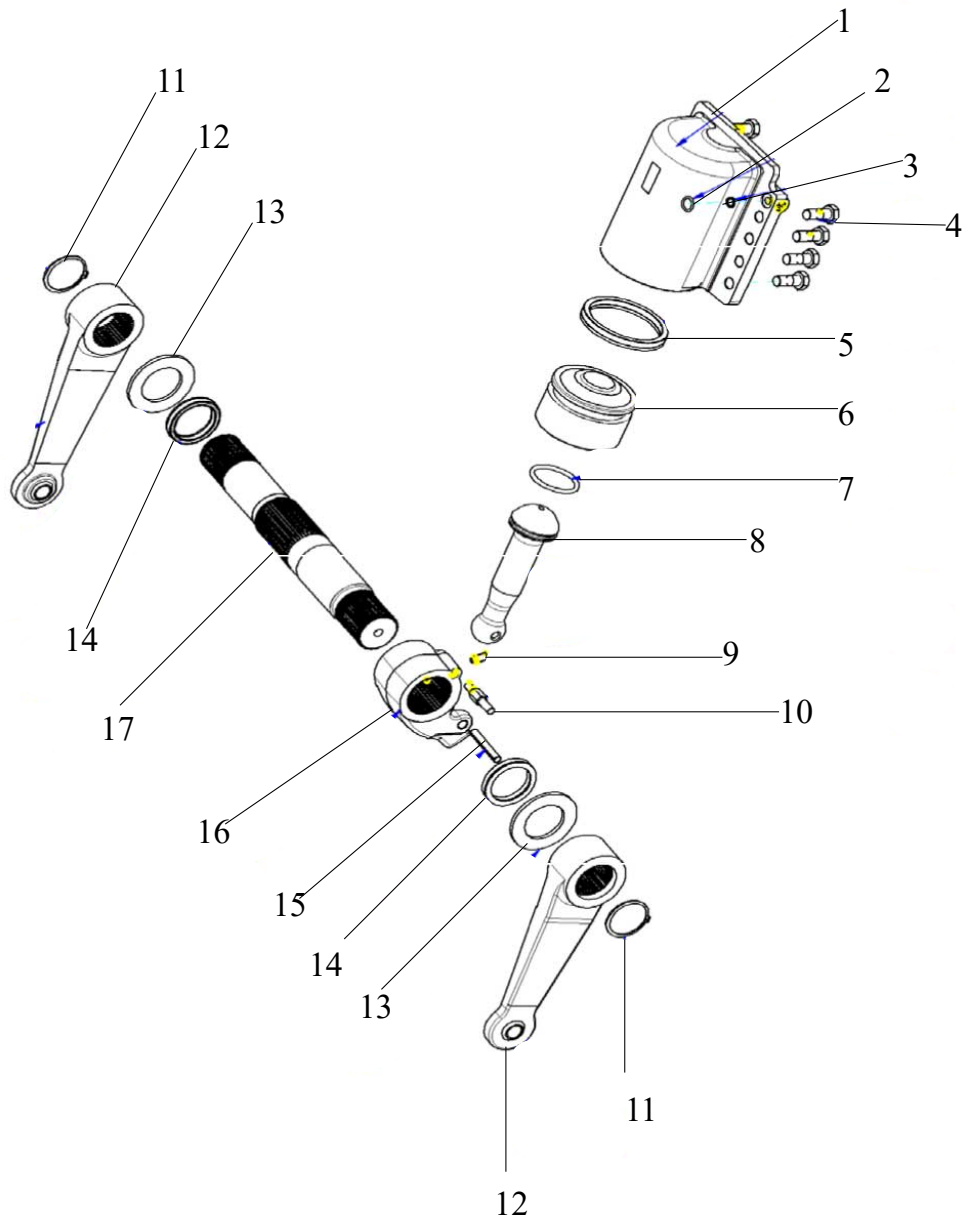


TABLE-103
CYLINDER HYDRAULIC SUB ASSEMBLY

Fig. No.	Part No.	Description	Qty
1	D10701040.9	CYLINDER HYDRAULIC LIFT (M/S MITA PART NO 130034012)	1
2	D10701060.9	SEAL O RING 2.62X15.54 (M/S MITA PART NO 360119000)	1
3	D10701050.9	WASHER HYDRAULIC LIFT CYLINDER (M/S MITA PART NO 320146000)	1
4	D10701070.9	BOLT M14X35-8.8 HEX HEAD (M/S MITA PART NO 300008000)	8
5	D10701130.9	SEALING RING HYDRAULIC LIFT PISTON (M/S MITA PART NO 360092000)	1
6	D10701010.9	PISTON HYDRAULIC LIFT CYLINDER (M/S MITA PART NO 130023020)	1
7	D10701090.9	SEAL O RING 5.34X53.34 (M/S MITA PART NO 360014000)	1
8	D10700970.9	CONNECTING ROD HYDRAULIC LIFT PISTON (M/S MITA PART NO 130001040)	1
9	D10701100.9	SCREW M10X1.50X20-5D HEX HEAD LOCK (M/S MITE PART NO 300009000)	1
10	D10701000.9	PIN HYDRAULIC LIFT DRAFT CONTROL (M/S MITA PART NO 340002000)	1
11	D10701110.9	CIRCLIP HYDRAULIC LIFT ARM LOCK (M/S MITA PART NO 330001000)	2
12	D11030040AA.9	ARM HYDRAULIC LIFT (M/S MITA PART NO 130056082)	2
13	D10700960.9	WASHER SHAFT HYDRAULIC LIFT (M/S MITA PART NO 130001070)	2
14	D10701080.9	SEALING RING HYDRAULIC LIFT SERRATION (M/S MITA PART NO 360015000)	2
15	D10701120.9	PIN HYDRAULIC LIFT CONNECTING ROD (M/S MITA PART NO 380003000)	1
16	D10700980.9	RAM ARM HYDRAULIC LIFT (M/S MITA PART NO 130001050)	1
17	D10700990.9	SHAFT SERRATED HYDRAULIC LIFT (M/S MITA PART NO 130001060)	1

TABLE-104
LINKAGE HYDRAULIC SUB ASSEMBLY

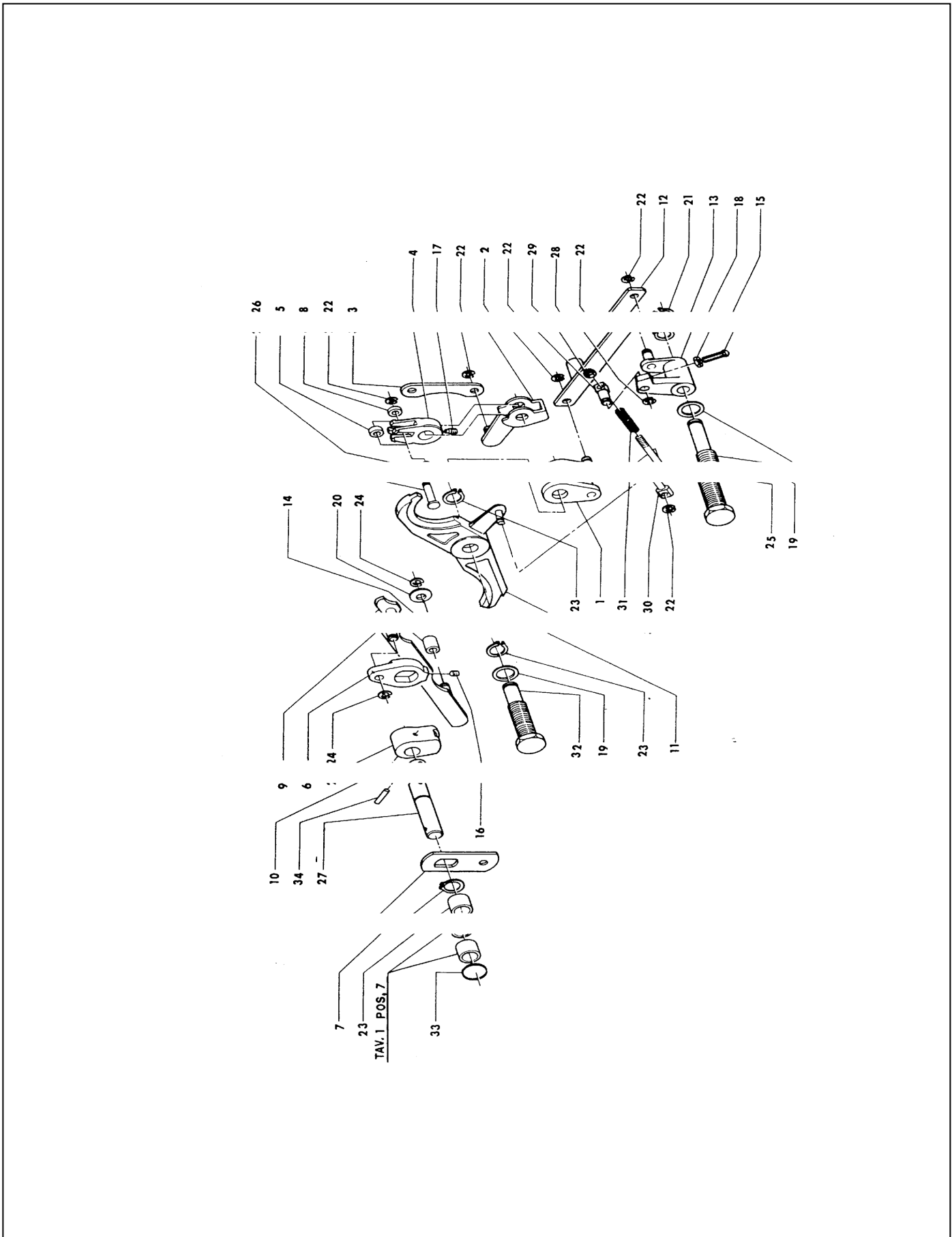


TABLE-104
LINKAGE HYDRAULIC SUB ASSEMBLY

Fig. No.	Part No.	Description	Qty
1	D10700530.9	LEVER HYDRAULIC LIFT CONTROL (M/S MITA PART NO 140001042)	1
2	D10700540.9	POSITION CAM HYDRAULIC LIFT (M/S MITA PART NO 140001052)	1
3	D10700550.9	LINK HYDRAULIC LIFT DRAFT CONTROL (M/S MITA PART NO 140001060)	1
4	D10739230.9	LINK HYDRAULIC LIFT CONTROL (M/S MITA PART NO 140001070)	1
5	D10700570.9	ROLLER HYDRAULIC LIFT (M/S MITA PART NO 140001080)	1
6	D10700580.9	LINK HYDRAULIC LIFT (M/S MITA PART NO 140001090)	1
7	D10700590.9	LINK HYDRAULIC LIFT (M/S MITA PART NO 140001110)	1
8	D10740700.9	ROLLER HYDRAULIC LIFT LINK (M/S MITA PART NO 140002080)	1
9	D10700600.9	PLATE ASSEMBLY HYDRAULIC LIFT CONTROL (M/S MITA PART NO 140004102)	1
10	D10700610.9	CAM HYDRAULIC LIFT (M/S MITA PART NO 140009120)	1
11	D10700620.9	LEVER FORKED HYDRAULIC LIFT CONTROL (M/S MITA PART NO 140010012)	1
12	D11030060AA.9	TIE ROD HYDRAULIC LIFT LINKAGE (M/S MITA PART NO 140011033)	1
13	D11030110AA.9	LEVER HYDRAULIC LIFT LINKAGE (M/S MITA PART NO 140018022)	1
14	D10700630.9	ROLLER HYDRAULIC LIFT (M/S MITA PART NO 140018080)	1
15	D10700690.9	SCREW HYDRAULIC LIFT CONTROL (M/S MITA PART NO 300010000)	1
16	D10700710.9	SCREW M8X1.25X8-8.8 HEX HEAD (M/S MITA PART NO 300012000)	1
17	D10700720.9	SCREW M8X1.25X12-8.8 HEX HEAD (M/S MITA PART NO 300046000)	1
18	D10700750.9	NUT HYDRAULIC LIFT CONTROL (M/S MITA PART NO 310003000)	1
19	D10700730.9	WASHER HYDRAULIC LIFT CONTROL (M/S MITA PART NO 320002000)	2
20	D10700770.9	WASHER M10.5 FLAT (M/S MITA PART NO 320004000)	1
21	D10700790.9	CIRCLIP HYDRAULIC LIFT (M/S MITA PART NO 330002000)	1
22	D10700800.9	CIRCLIP HYDRAULIC LIFT (M/S MITA PART NO 330003000)	5
23	D10700810.9	CIRCLIP HYDRAULIC LIFT (M/S MITA PART NO 330004000)	3
24	D10700820.9	CIRCLIP HYDRAULIC LIFT (M/S MITA PART NO 330005000)	3
25	D11030120AA.9	PIN HYDRAULIC LIFT (M/S MITA PART NO 340006000)	1
26	D10739220.9	PIN HYDRAULIC LIFT LINK (M/S MITA PART NO 340011000)	1
27	D10700830.9	PIN HYDRAULIC LIFT CONTROL (M/S MITA PART NO 340014000)	1
28	D10700760.9	NUT HYDRAULIC LIFT CONTROL (M/S MITA PART NO 310004000)	1
29	D10739240.9	PIN HYDRAULIC LIFT SPRING (M/S MITA PART NO 340008000)	1
30	D11017660AA.9	PIN HYDRAULIC LIFT CONTROL (M/S MITA PART NO 340170000)	1
31	D10739250.9	SPRING HYDRAULIC LIFT CONTROL (M/S MITA PART NO 350006000)	1
32	D10700840.9	PIN HYDRAULIC LIFT CONTROL (M/S MITA PART NO 340171000)	1
33	D10700890.9	SEAL O RING 262X1588 (M/S MITA PART NO 360069000)	1
34	D10700940.9	PIN M6X35 HYDRAULIC LIFT CONTROL (M/S MITA PART NO 380004000)	1

TABLE-105
DRAFT SENSING HYDRAULIC SUB ASSEMBLY

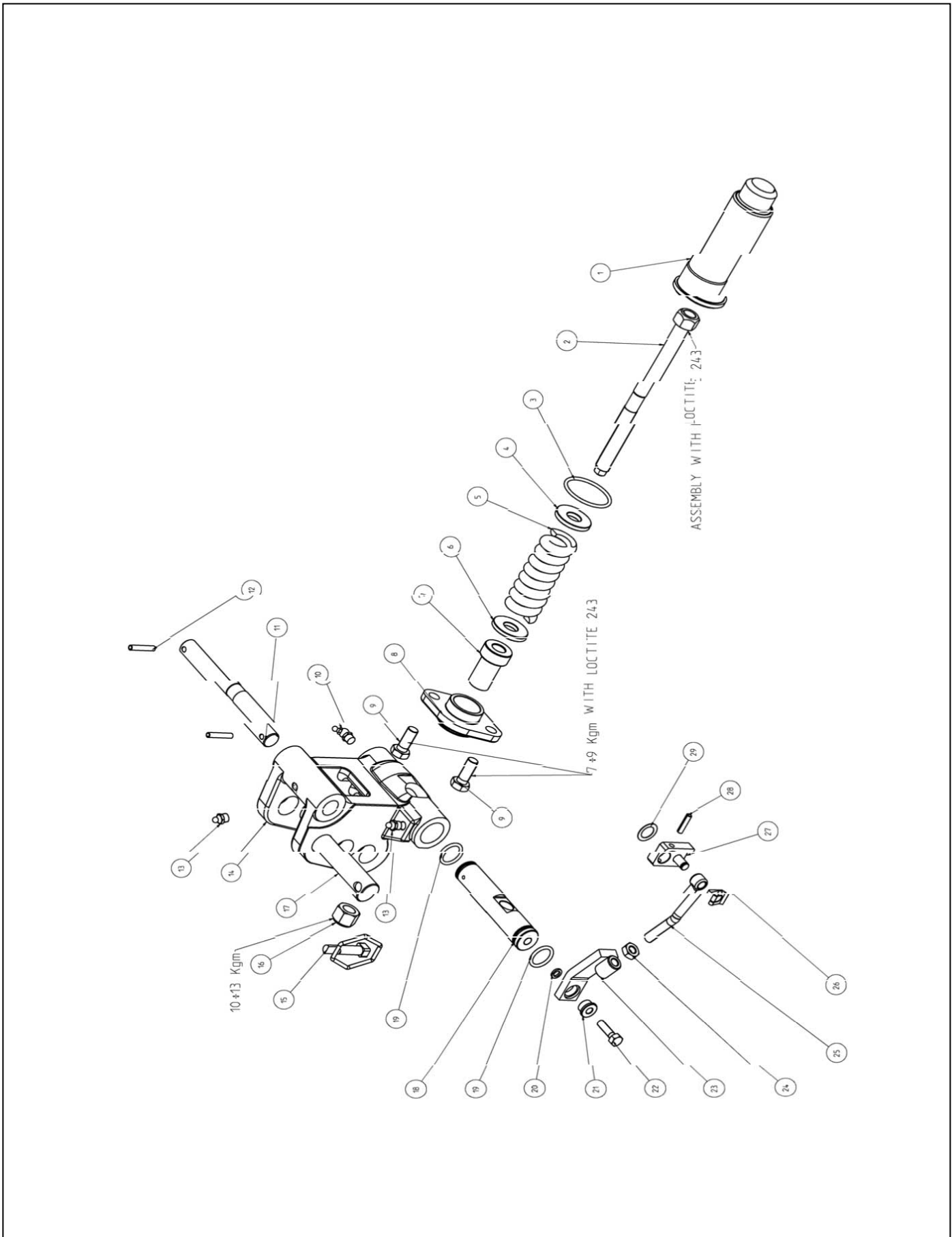


TABLE-105
DRAFT SENSING HYDRAULIC SUB ASSEMBLY

Fig. No.	Part No.	Description	Qty
1	D11030160AA.9	HOUSING HYDRAULIC LIFT DRAFT CONTROL (M/S MITA PART NO 15.0014.03.0)	1
2	D11030170AA.9	SCREW HYDRAULIC LIFT DRAFT CONTROL (M/S MITA PART NO 15.0011.04.2)	1
3	D11030190AA.9	SEAL O RING DRAFT SPRING HOUSING (M/S MITA PART NO 36.0018.00.0)	1
4	D11030210AA.9	SEAT DRAFT SPRING HOUSING LOWER (M/S MITA PART NO 32.0137.00.0)	1
5	D11030220AA.9	SPRING HYDRAULIC LIFT DRAFT CONTROL (M/S MITA PART NO 35.0083.00.0)	1
6	D11030230AA.9	SEAT DRAFT SPRING HOUSING UPPER (M/S MITA PART NO 32.0132.00.0)	1
7	D11030260AA.9	SPACER HYDRAULIC DRAFT SPRING (M/S MITA PART NO 15.0008.05.0)	1
8	D11030290AA.9	FLANGE HYDRAULIC LIFT DRAFT CONTROL (M/S MITA PART NO 15.0008.06.0)	1
9	D11030360AA.9	BOLT M12X30-8.8 (M/S MITA PART NO 30.0013.00.0)	2
10	D11030410AA.9	GREASE NIPPLE A M10X1 (M/S MITA PART NO 42.0001.00.0)	1
11	D11030420AA.9	PIN ROCKER HYDRAULIC LIFT (M/S MITA PART NO 34.0015.00.0)	2
12	D10706530.9	PIN HYDRAULIC LIFT LINKAGE (M/S MITA PART NO 38.0004.00.0)	2
13	D11030510AA.9	GREASE NIPPLE A M10X1 (M/S MITA PART NO 42.0002.00.0)	1
14	D11030520AA.9	ROCKER HYDRAULIC LIFT (M/S MITA PART NO 15.0051.01.0)	1
15	D10762560.9	PIN HYDRAULIC LIFT (M/S MITA PART NO 41.0001.00.0)	1
16	D11030530AA.9	NUT LOCK HYDRAULIC LIFT DRAFT CONTROL (M/S MITA PART NO 31.0031.00.0)	1
17	D10762550.9	PIN HYDRAULIC LIFT (M/S MITA PART NO 34.0152.00.0)	1
18	D11030650AA.9	PIN DRAFT ROCKER HYDRAULIC LIFT (M/S MITA PART NO 34.0271.00.0)	1
19	D11030760AA.9	CIRCLIP DRAFT PIN (M/S MITA PART NO 36.0043.00.0)	2
20	D11030790AA.9	WASHER DRAFT PIN (M/S MITA PART NO 32.0001.00.0)	1
21	D11030810AA.9	BUSH HYDRAULIC LIFT DRAFT CONTROL TRUNION (M/S MITA PART NO 40.0154.00.0)	1
22	D11030820AA.9	SCREW M8X30-8.8 HEX HEAD (M/S MITA PART NO 30.0084.00.0)	1
23	D11030830AA.9	TRUNION HYDRAULIC LIFT DRAFT CONTROL (M/S MITA PART NO 15.0004.08.3)	1
24	D11030840AA.9	NUT M10X1 HEX (M/S MITA PART NO 31.0015.00.0)	1
25	D11030850AA.9	ROD PULL HYDRAULIC LIFT DRAFT CONTROL (M/S MITA PART NO 15.0045.09.0)	1
26	D11030860AA.9	CIRCLIP HYDRAULIC LIFT DRAFT CONTROL LINK (M/S MITA PART NO 33.0006.00.0)	1
27	D11030870AA.9	LEVER HYDRAULIC LIFT DRAFT CONTROL (M/S MITA PART NO 15.0001.10.2)	1
28	D11030880AA.9	PIN 6.0X25.0 SPRING DOWEL (M/S MITA PART NO 38.0005.00.0)	1
29	D11030890AA.9	WASHER (M/S MITA PART NO 32.0023.00.0)	1

TABLE-106
LEVER CONTROL HYDRAULIC SUB ASSEMBLY

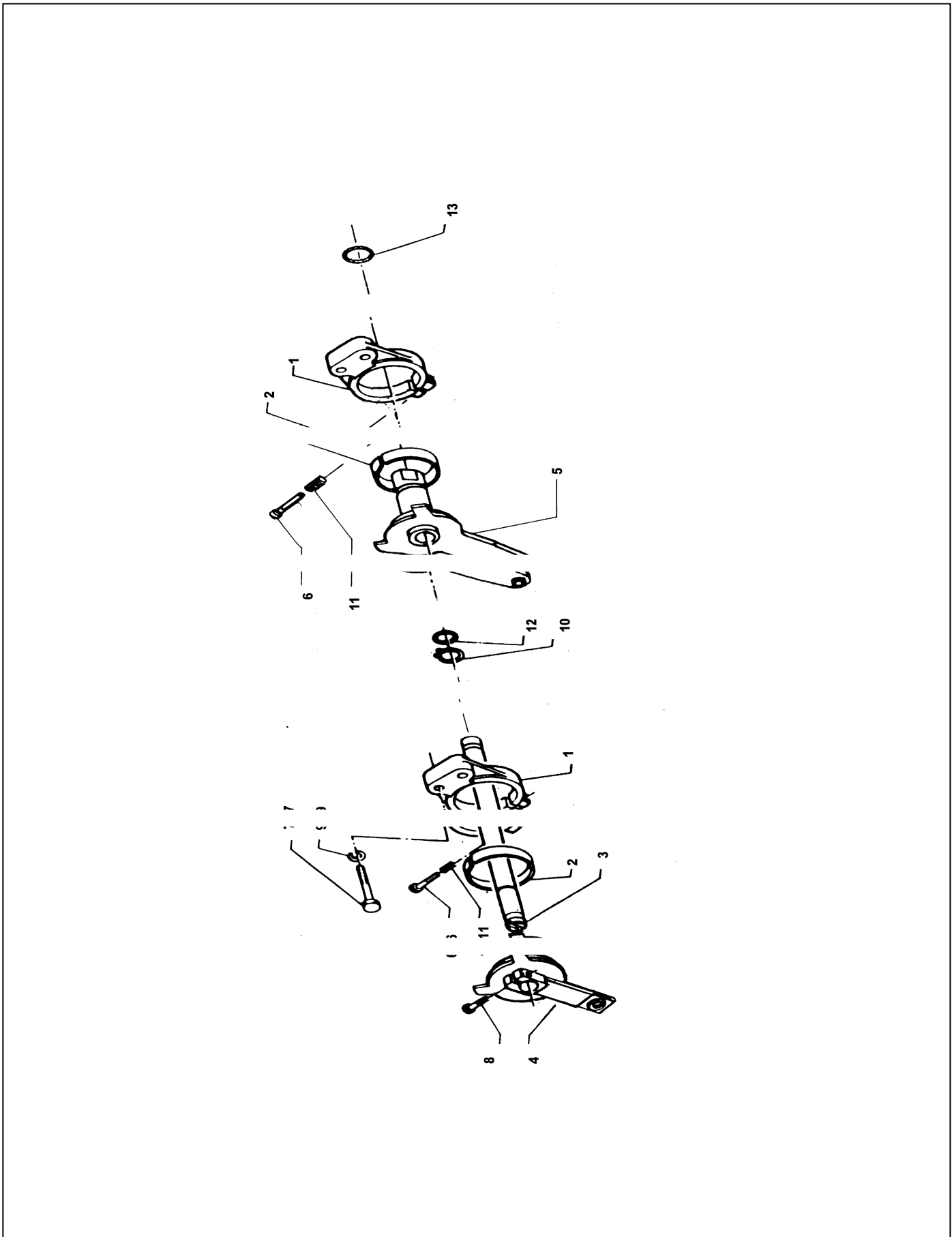


TABLE-106
LEVER CONTROL HYDRAULIC SUB ASSEMBLY

Fig. No.	Part No.	Description	Qty
1	D10700220.9	PLATE FRICTION HYDRAULIC LIFT CONTROL LEVER (M/S MITA PART NO 160001020)	2
2	D10700210.9	FRICTION DISC HYDRAULIC LIFT CONTROL LEVER (M/S MITA PART NO 160001030)	2
3	D11030910AA.9	LEVER HYDRAULIC LIFT DRAFT CONTROL (M/S MITA PART NO 160043090)	1
4	D10700150.9	LEVER HYDRAULIC LIFT POSITION CONTROL (M/S MITA PART NO 160054083)	1
5	D11030920AA.9	LEVER HYDRAULIC LIFT POSITION CONTROL (M/S MITA PART NO 160080043)	1
6	D10700170.9	SCREW M6X1.00X40-6.6 HEX HEAD (M/S MITA PART NO 300014000)	2
7	D10700130.9	SCREW M8X1.25X55-8.8 HEX HEAD (M/S MITA PART NO 300015000)	2
8	D10700140.9	SCREW M8X1.25X30-8.8 HEX HEAD (M/S MITA PART NO 300069000)	1
9	D10700160.9	WASHER M8 SPRING LOCK (M/S MITA PART NO 320001000)	2
10	D10700810.9	CIRCLIP HYDRAULIC LIFT (M/S MITA PART NO 330004000)	1
11	D10700180.9	SPRING HYDRAULIC LIFT CONTROL LEVER PIVOT (M/S MITA PART NO 350008000)	2
12	D10700190.9	SEAL O RING 2.62X10.77 (M/S MITA PART NO 360013000)	1
13	D10700230.9	SEAL O RING 2.62X20.24 (M/S MITA PART NO 360020000)	1